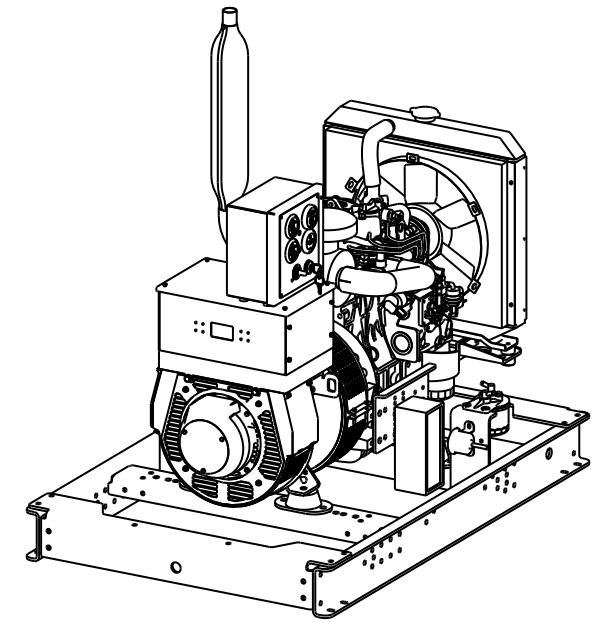
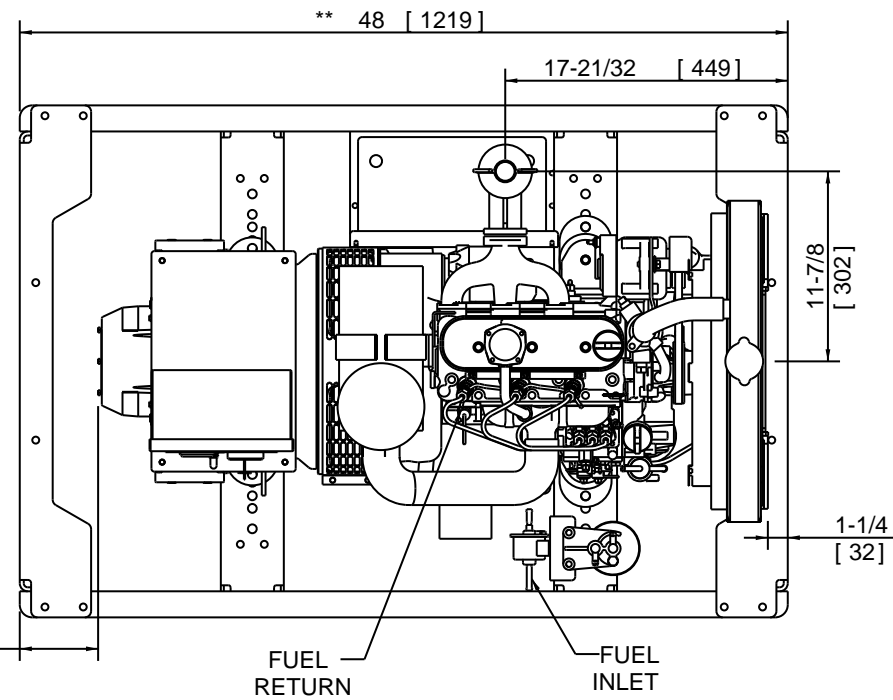


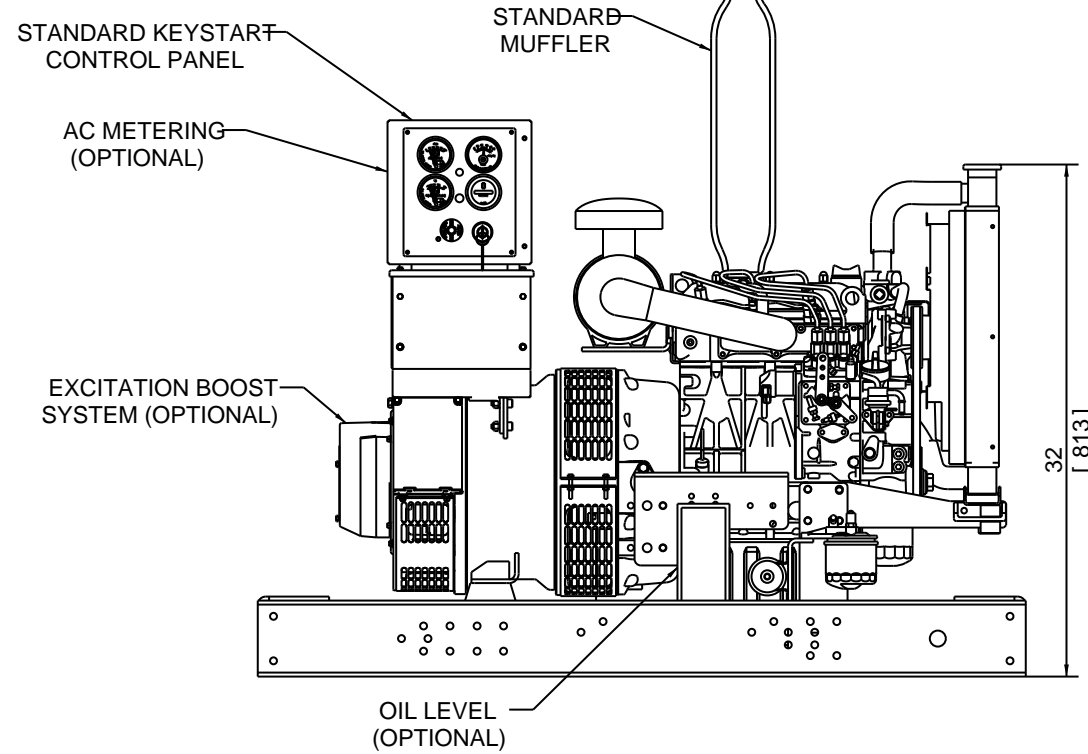
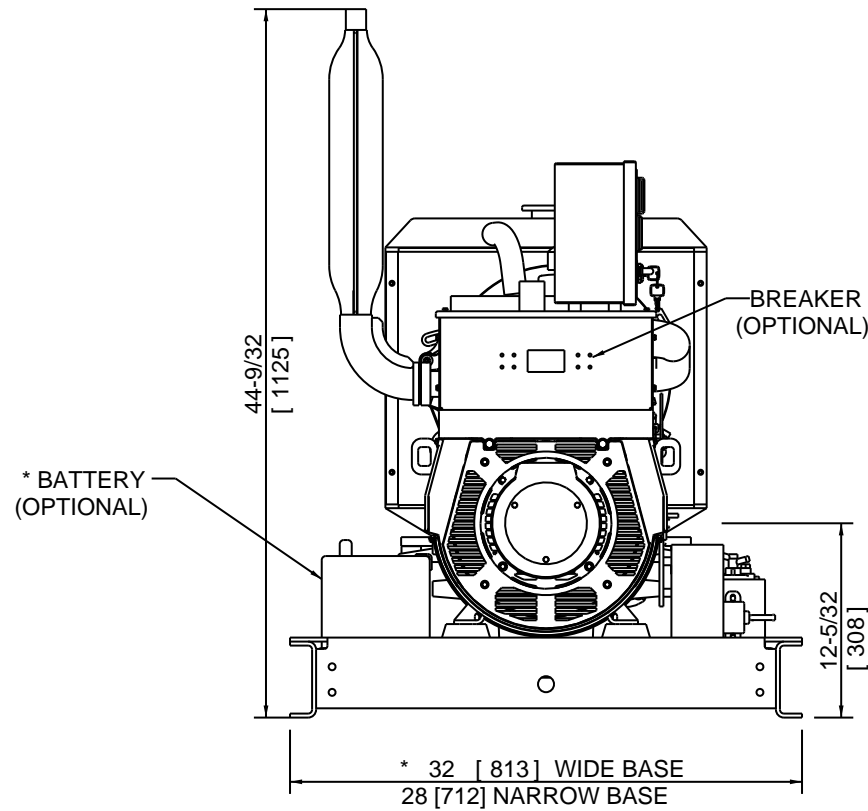
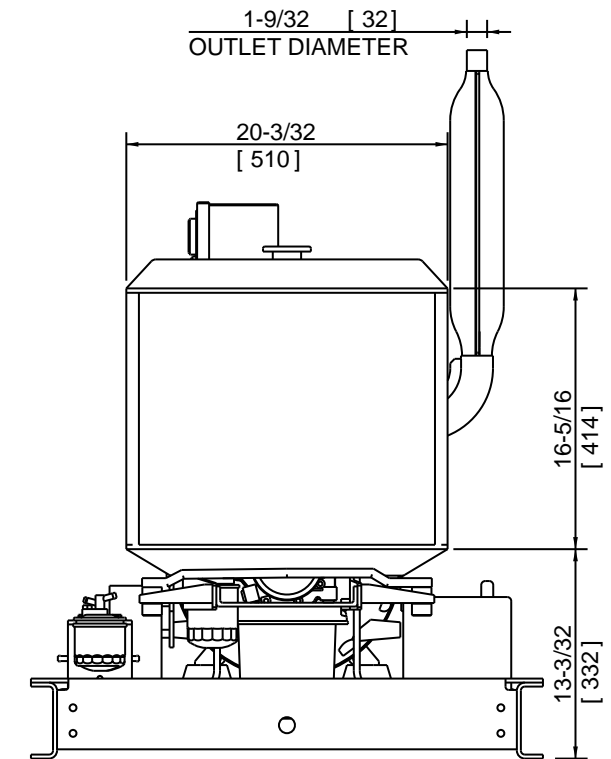
VOLTAGE	WDG.	PH	STAND-BY			PRIME		
			KVA	KW	AMP	KVA	KW	AMP
120/240	06	1Ø	7.4	7.4	31	6.5	6.5	27
120/240	311	3Ø	9.8	7.8	23.6	8.7	7.0	21
120/208	311	3Ø	9.8	7.8	27.2	8.7	7.0	24
277/480	311	3Ø	9.8	7.8	11.8	8.7	7.0	10.5
347/600	07	3Ø	9.8	7.8	9.4	8.7	7.0	8

THREE PHASE KW RATING AT 0.8 POWER FACTOR.
 SINGLE PHASE KW RATING AT 1.0 POWER FACTOR
 STAND-BY RATING AT TEMP. RISE/AMBIENT OF 125/40 C
 PRIME RATING AT TEMP. RISE/AMBIENT OF 105/40 C
 50HZ RATING AND OTHER VOLTAGES AVAILABLE

4-29/32
[125]



1-9/32 [32]
OUTLET DIAMETER



* BATTERY TRAY AND FUEL TANKS AVAILABLE WITH 32 [813] WIDE SKID ONLY
 ** ENCLOSURE AVAILABLE WITH A 58 [1473] LONG AND 32[813] WIDE SKID ONLY

NOTES:
 - GENERAL INFORMATION ONLY - NOT FOR INSTALLATION PURPOSES
 - SPECIFICATIONS, DIMENSIONS OR RATING MAY BE CHANGED WITHOUT NOTICE



DIMENSION FORMAT IN [MM]

REV	DESCRIPTION	DRN	DATE	ECO
B	FRONTIER PART NO:			
RR	DATE: 04/06/2011			
CHK:	DATE: MM/DD/YYYY			
APD:	DATE:			
WEIGHT:	595Lbs [270Kg] DRY	SCALE:	SHEET: 1/1	DWG NO: KS750-T4

DO NOT SCALE
 UNLESS OTHERWISE SPECIFIED ALL DIMENSIONS ARE IN INCHES
 INTERPRET ALL DIMENSIONS AND TOLERANCES AS PER ASME Y14.5M-1994 REMOVE ALL SHARP EDGES AND BURRS MACHINED SURFACES 125 Mu .X ±.030 ANGLES ±.5 .XX ±.015 FRACTIONS ±1/16 .XXX ±.002

THIRD ANGLE PROJECTION



Delta, BC, Canada 1-877-946-5531
 Edmonton, AB, Canada 1-877-455-2260
 Calgary, AB, Canada 1-877-720-3735
 Winnipeg, MB, Canada 1-877-949-1526
 www.frontierpower.com

INFORMATION ON THIS DOCUMENT IS PROPRIETARY AND IS NOT TO BE REPRODUCED, DISTRIBUTED OR DISCLOSED EXCEPT AS SPECIFICALLY AUTHORIZED IN WRITING BY FRONTIER

TITLE: KS750
 KUBOTA D1005BG-3/ STAMFORD PI044D

REV: 0